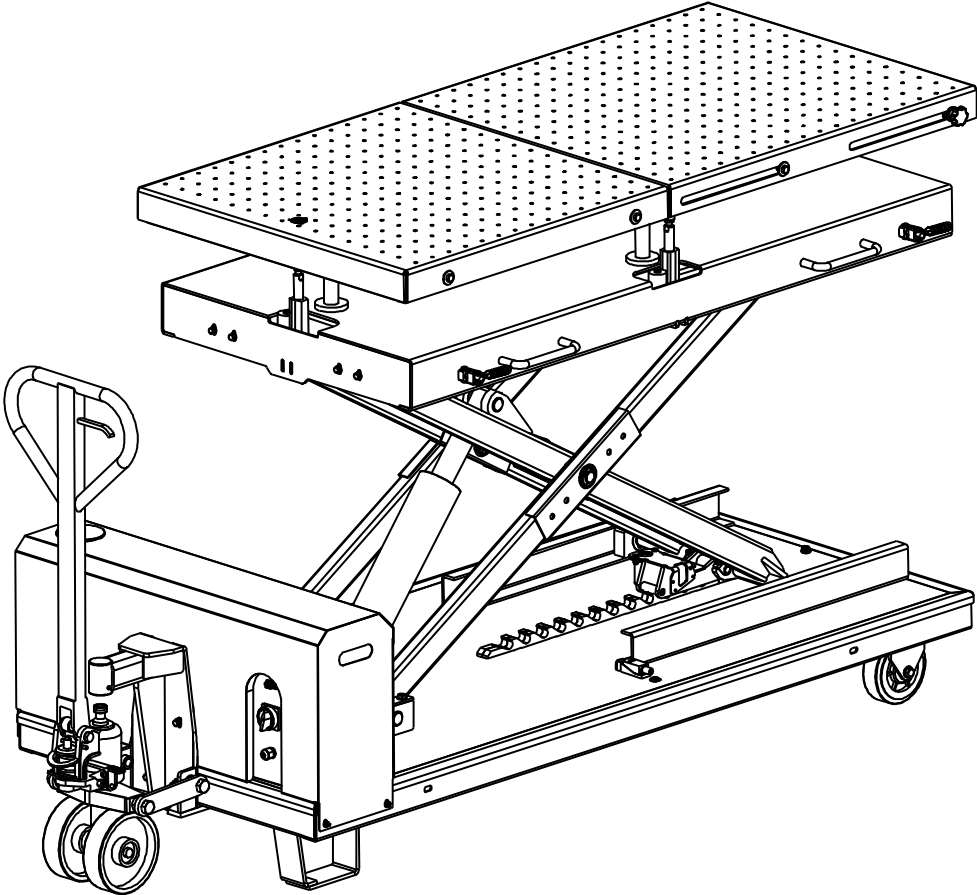
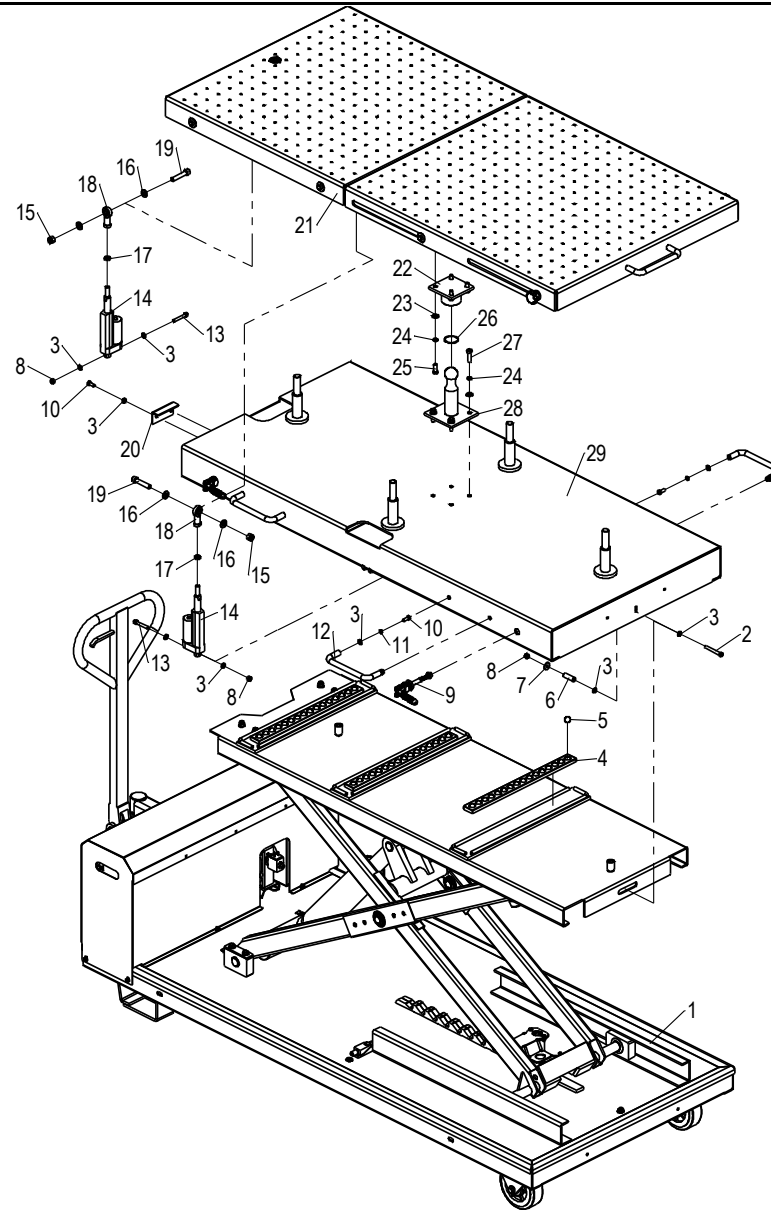


ED. 10.2023

PART CATALOGUE
EVBL3310



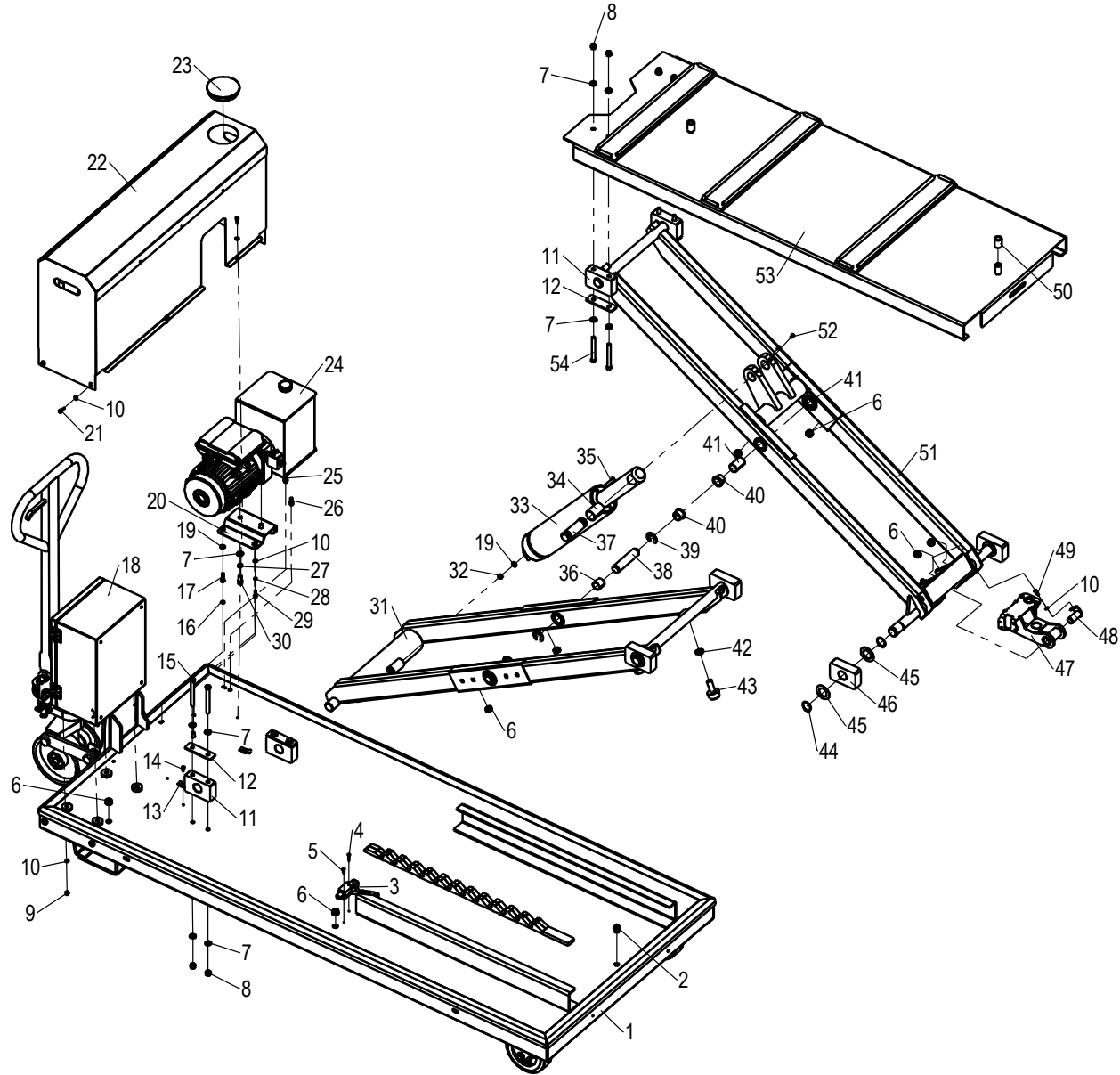


| | | |
|-------|------|-------------|
| TAV.1 | LIFT | ED. 10.2023 |
|-------|------|-------------|

| ITEM | PART NO. | DESCRIPTION | QTY | REMARK |
|------|----------|-----------------------|-----|--------|
| 1 | 27102790 | Lifting device | 1 | |
| 2 | 02010193 | Screw GB/T5782/M8X65 | 1 | |
| 3 | 02050008 | Washer GB/T97.1/8 | 18 | |
| 4 | 21200216 | Support | 3 | |
| 5 | 02150138 | Steel ball GB308/Φ 18 | 48 | |
| 6 | 23130405 | Limit bush | 1 | |
| 7 | 02050009 | Washer GB/T96/8 | 1 | |
| 8 | 02040004 | Nut GB/T889.1/M8 | 3 | |
| 9 | 06900307 | Quick clamp CH-36204M | 4 | |
| 10 | 02010042 | Screw GB/T5783/M8X20 | 12 | |
| 11 | 02080006 | Washer GB/T93/8 | 12 | |
| 12 | 23130024 | Handle | 4 | |
| 13 | 02020093 | Screw GB/T70.1/M8X50 | 2 | |
| 14 | 05080412 | Electric putter | 2 | |
| 15 | 02040007 | Nut GB/T889.1/M12 | 2 | |
| 16 | 02050013 | Washer GB/T97.1/12 | 4 | |
| 17 | 02040016 | Nut GB/T6172.1/M12 | 2 | |
| 18 | 02140044 | Bearing SI12T/K | 2 | |
| 19 | 02020100 | Screw GB/T70.1/M12X60 | 2 | |
| 20 | 23130023 | Limit plate | 2 | |
| 21 | 27100680 | Three layers cover | 1 | |
| 22 | 26150029 | Support bush | 1 | |
| 23 | 02050011 | Washer GB/T97.1/10 | 8 | |
| 24 | 02080007 | Washer GB/T93/10 | 8 | |
| 25 | 02010064 | Screw GB/T5783/M10X25 | 4 | |
| 26 | 02110035 | Seeger GB-T895.1 42 | 1 | |
| 27 | 02010050 | Screw GB/T5783/M10X35 | 4 | |

| | | | | |
|-------|------|--|--|-------------|
| TAV.1 | LIFT | | | ED. 10.2023 |
|-------|------|--|--|-------------|

| ITEM | PART NO. | DESCRIPTION | QTY | REMARK |
|------|----------|-------------|-----|--------|
| 28 | 26150028 | Support | 1 | |
| 29 | 26150666 | Platform | 1 | |

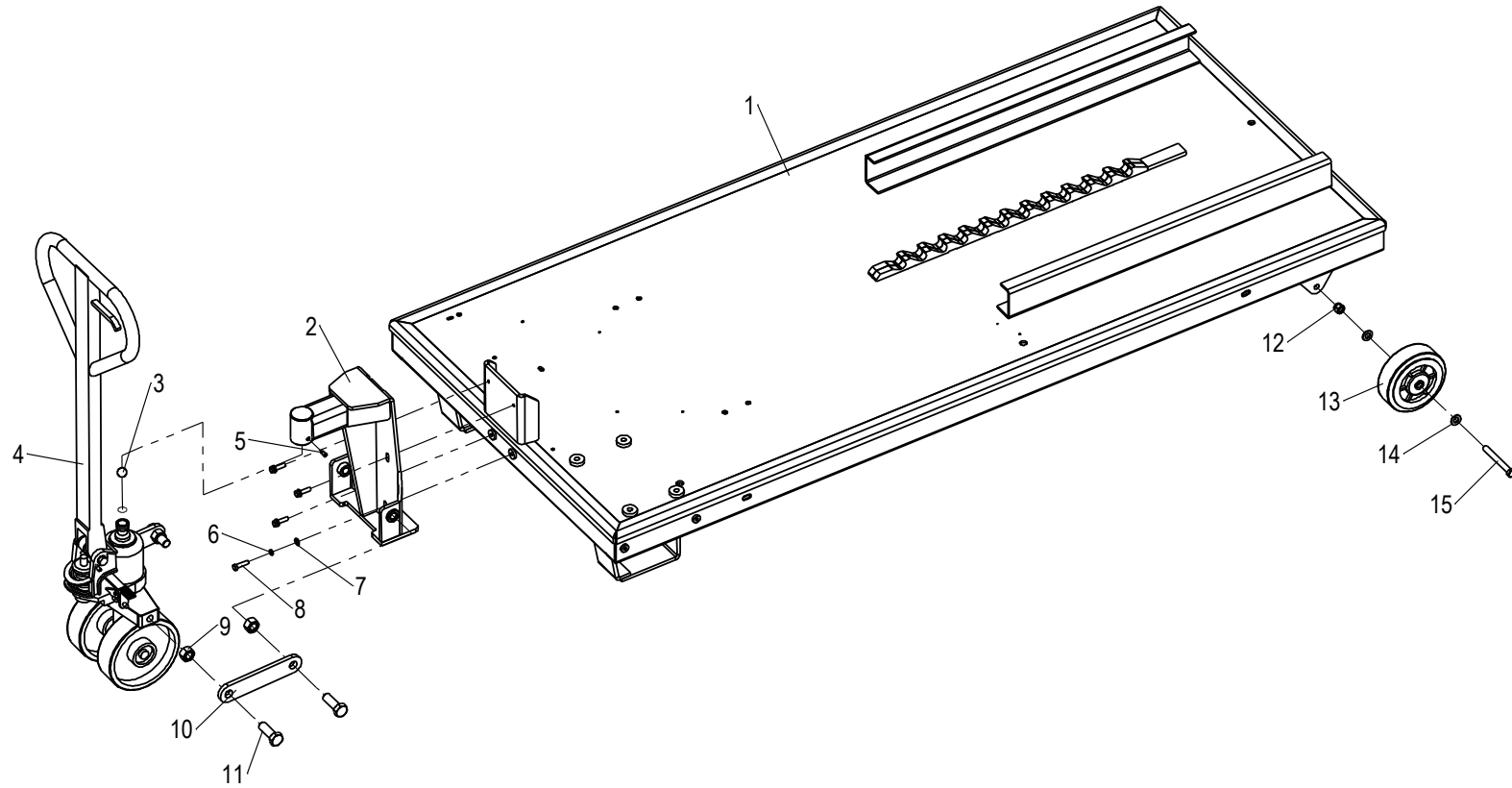


| | | |
|-------|----------------|-------------|
| TAV.2 | LIFTING DEVICE | ED. 10.2023 |
|-------|----------------|-------------|

| ITEM | PART NO. | DESCRIPTION | QTY | REMARK |
|------|----------|------------------------|-----|--------|
| 1 | 27102791 | Movable jack | 1 | |
| 2 | 03130087 | Thread plug M16x1.5 | 1 | |
| 3 | 05050018 | Limit switch 8108 | 1 | |
| 4 | 02060017 | Screw GB/T818/M4X25 | 1 | |
| 5 | 02060015 | Screw GB/T818/M4X16 | 1 | |
| 6 | 06060024 | Cable relief D.16 | 8 | |
| 7 | 02050011 | Washer GB/T97.1/10 | 18 | |
| 8 | 02040005 | Nut GB/T889.1/M10 | 8 | |
| 9 | 02040003 | Nut GB/T889.1/M6 | 4 | |
| 10 | 02050006 | Washer GB/T97.1/6 | 13 | |
| 11 | 23100001 | Fixed block | 4 | |
| 12 | 23130019 | Pallet | 4 | |
| 13 | 23131013 | Hose clip | 2 | |
| 14 | 02020037 | Screw GB/T70.1/M6X8 | 2 | |
| 15 | 02010056 | Screw GB/T5783/M10X100 | 4 | |
| 16 | 02080006 | Washer GB/T93/8 | 2 | |
| 17 | 02010038 | Screw GB/T5783/M8X25 | 2 | |
| 18 | 27403667 | Control panel | 1 | |
| 19 | 02050008 | Washer GB/T97.1/8 | 4 | |
| 20 | 24130002 | Fixed plate | 1 | |
| 21 | 02020032 | Screw GB/T70.1/M6X16 | 6 | |
| 22 | 26150668 | Cover | 1 | |
| 23 | 06030383 | Plug H96.3 | 1 | |
| 24 | 27201067 | Hydraulic power unit | 1 | |
| 25 | 02020097 | Screw GB/T70.1/M8X10 | 1 | |
| 26 | 02020040 | Screw GB/T70.1/M8X16 | 1 | |
| 27 | 02080007 | Washer GB/T93/10 | 2 | |

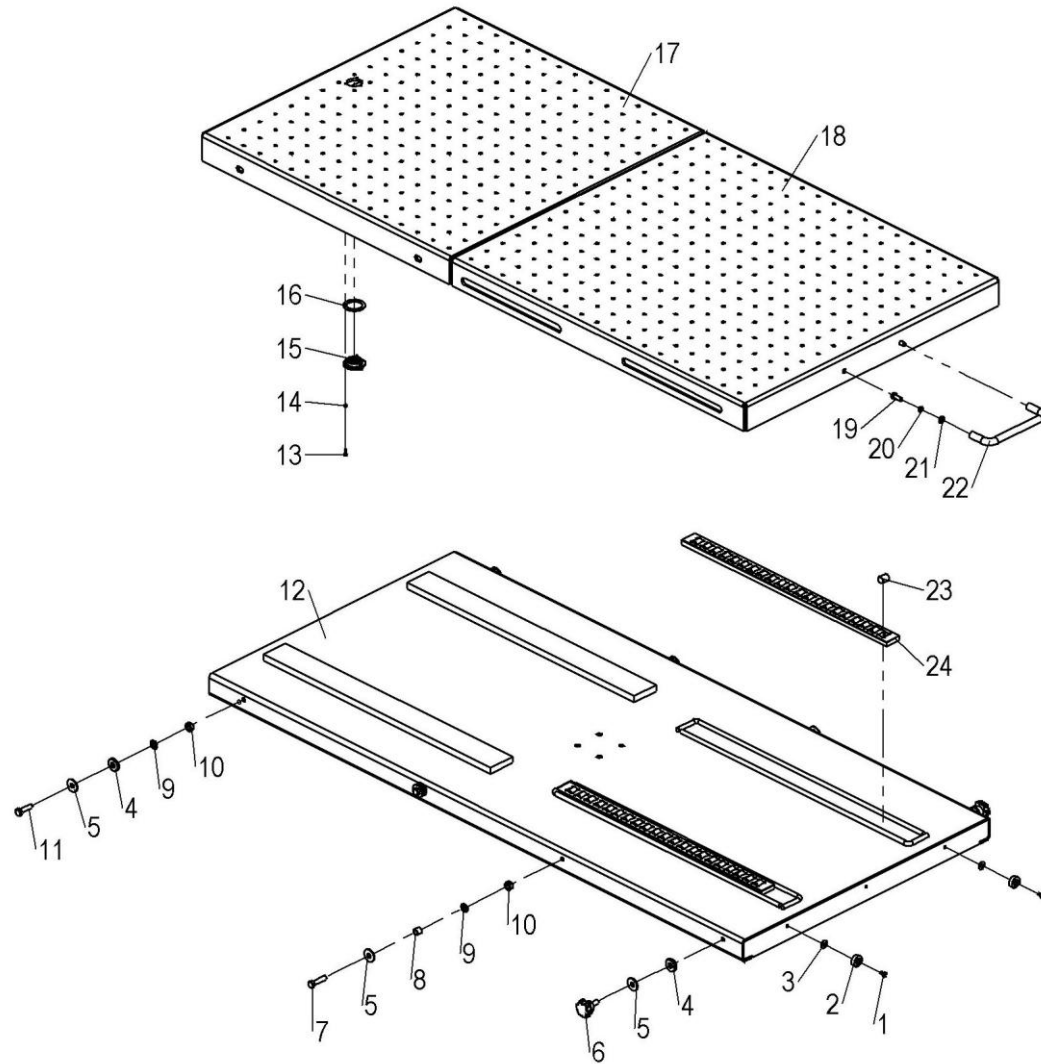
| | | |
|-------|----------------|-------------|
| TAV.2 | LIFTING DEVICE | ED. 10.2023 |
|-------|----------------|-------------|

| ITEM | PART NO. | DESCRIPTION | QTY | REMARK |
|------|----------|-----------------------|-----|--------|
| 28 | 02080005 | Washer GB/T93/6 | 1 | |
| 29 | 02010014 | Screw GB/T5783/M6X20 | 1 | |
| 30 | 02020060 | Screw GB/T70.1/M10X20 | 2 | |
| 31 | 26150024 | Outer scissor arm | 1 | |
| 32 | 02040004 | Nut GB/T889.1/M8 | 1 | |
| 33 | 27250149 | Hydraulic cylinder | 1 | |
| 34 | 02100017 | Bush SF-1/3050 | 1 | |
| 35 | 02010182 | Screw GB/T5782/M8X90 | 1 | |
| 36 | 02100009 | Bush SF-1/2525 | 2 | |
| 37 | 23130021 | Upper shaft | 1 | |
| 38 | 23130022 | Middle shaft | 2 | |
| 39 | 02110003 | Seeger GB/T896/19 | 4 | |
| 40 | 02100041 | Bush SF-1/2520F | 2 | |
| 41 | 02100011 | Bush SF-1/2545 | 2 | |
| 42 | 02040032 | Nut GB/T6172.1/M16 | 2 | |
| 43 | 21400123 | Buffer Screw | 2 | |
| 44 | 02120021 | Seeger GB/T894.1/30 | 6 | |
| 45 | 23130020 | Spacer 30 | 6 | |
| 46 | 23100002 | Slider | 4 | |
| 47 | 27101815 | Safety lock assembly | 1 | |
| 48 | 26130153 | Shaft | 2 | |
| 49 | 02020024 | Screw GB/T70.1/M6X12 | 2 | |
| 50 | 23100003 | Buffer tube | 2 | |
| 51 | 26151651 | Inner scissor arm | 1 | |
| 52 | 02090032 | Screw GB/T80/M8X12 | 2 | |
| 53 | 26150664 | Cover | 1 | |
| 54 | 02010071 | Screw GB/T5783/M10X90 | 4 | |



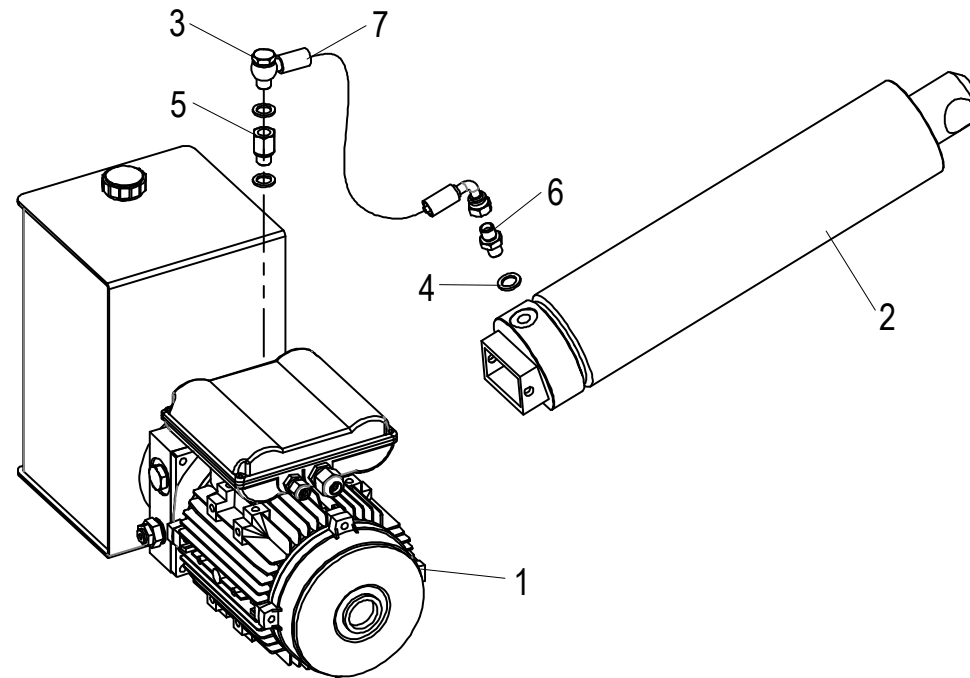
| | | |
|-------|--------------|-------------|
| TAV.3 | MOVABLE JACK | ED. 10.2023 |
|-------|--------------|-------------|

| ITEM | PART NO. | DESCRIPTION | QTY | REMARK |
|------|----------|------------------------|-----|--------|
| 1 | 26151870 | Base | 1 | |
| 2 | 26150022 | Jack bracket | 1 | |
| 3 | 02150077 | Steel ball D.20 | 1 | |
| 4 | 03130060 | Mobile jack TC-200 | 1 | |
| 5 | 02090027 | Screw GB/T79/M8X16 | 1 | |
| 6 | 02080006 | Washer GB/T93/8 | 3 | |
| 7 | 02050008 | Washer GB/T97.1/8 | 4 | |
| 8 | 02010031 | Screw GB/T5783/M8X30 | 4 | |
| 9 | 02030015 | Nut GB/T6170/M18 | 4 | |
| 10 | 23150010 | Connection plate | 2 | |
| 11 | 02010108 | Screw GB/T5783/M18X50 | 4 | |
| 12 | 02040007 | Nut GB/T889.1/M12 | 2 | |
| 13 | 05110289 | Wheel 150x50 | 2 | |
| 14 | 02050013 | Washer GB/T97.1/12 | 4 | |
| 15 | 02010194 | Screw GB/T5782/M12X100 | 2 | |

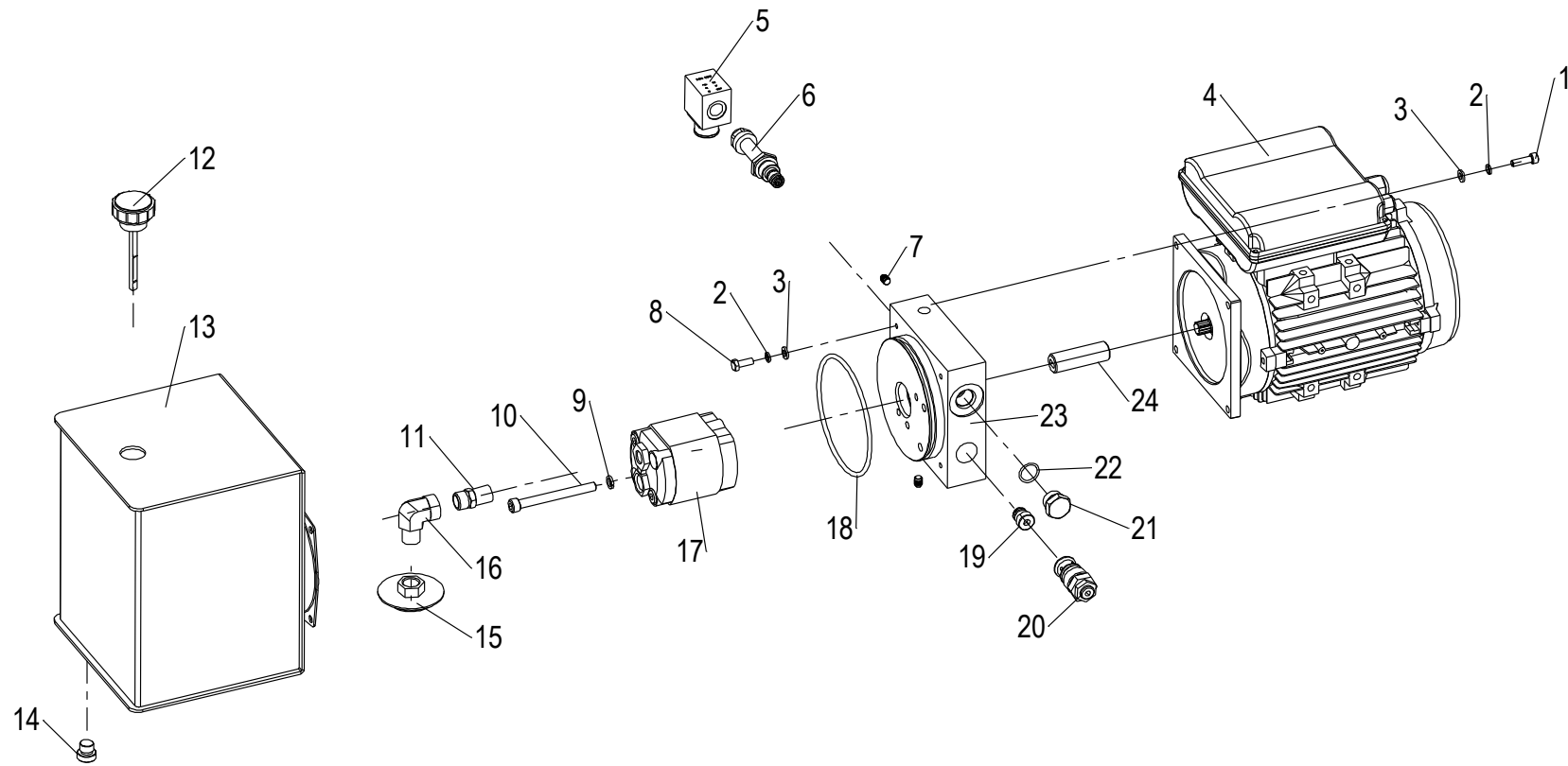


| | | |
|-------|-------------------|-------------|
| TAV.4 | THREE LAYER COVER | ED. 10.2023 |
|-------|-------------------|-------------|

| ITEM | PART NO. | DESCRIPTION | QTY | REMARK |
|------|----------|----------------------------------|-----|--------|
| 1 | 02070084 | Screw GB/T70.3/M6X12 | 2 | |
| 2 | 21400078 | Rubber cushion | 2 | |
| 3 | 02050007 | Washer GB/T96/6 | 2 | |
| 4 | 23100004 | Nylon spacer | 6 | |
| 5 | 02050010 | Washer GB/T96/10 | 8 | |
| 6 | 02150012 | Hand wheel JB/T7274.4/BM10X40X40 | 2 | |
| 7 | 02010068 | Screw GB/T5783/M10X40 | 2 | |
| 8 | 23130027 | Bush | 2 | |
| 9 | 02050011 | Washer GB/T97.1/10 | 6 | |
| 10 | 02040005 | Nut GB/T889.1/M10 | 6 | |
| 11 | 02010050 | Screw GB/T5783/M10X35 | 4 | |
| 12 | 26150667 | Lower cover | 1 | |
| 13 | 02020003 | Screw GB/T70.1/M3X12 | 3 | |
| 14 | 02050001 | Washer GB/T97.1/3 | 3 | |
| 15 | 05110281 | Bubble D.49 | 1 | |
| 16 | 23140007 | Washer | 1 | |
| 17 | 26150390 | Fixed cover | 1 | |
| 18 | 26150391 | Movable cover | 1 | |
| 19 | 02010042 | Screw GB/T5783/M8X20 | 2 | |
| 20 | 02080006 | Washer GB/T93/8 | 2 | |
| 21 | 02050008 | Washer GB/T97.1/8 | 2 | |
| 22 | 23130024 | Handle | 1 | |
| 23 | 02140058 | Roller 16x20 | 42 | |
| 24 | 21200217 | Support | 2 | |



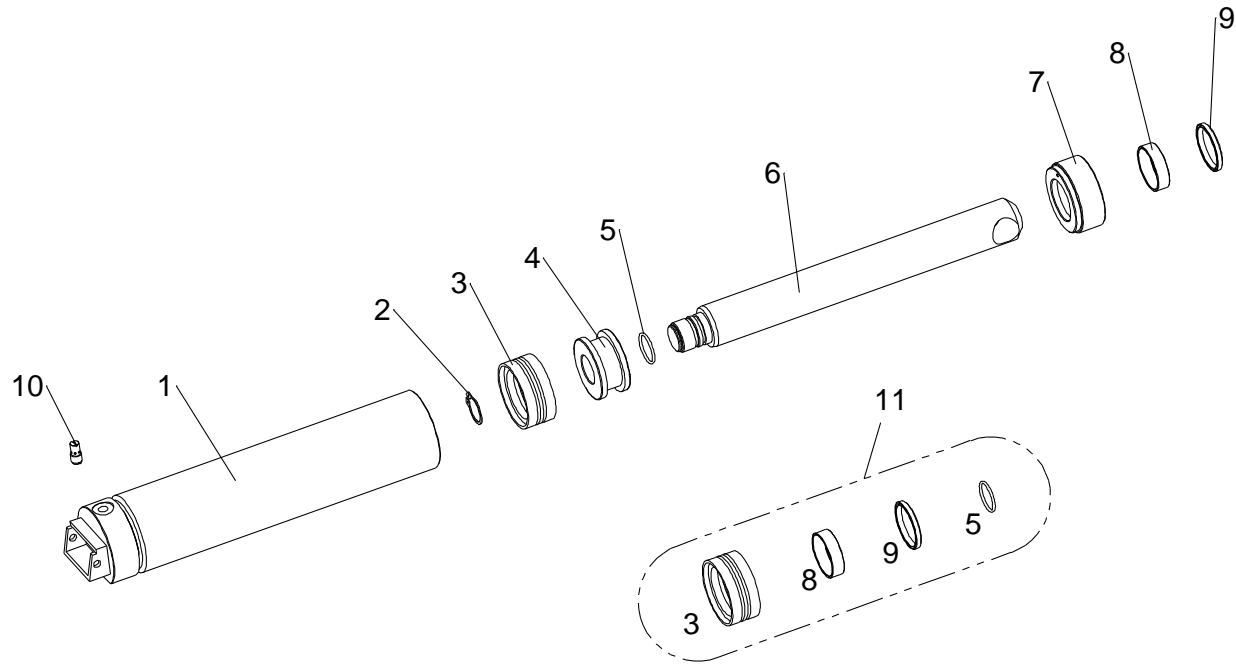
| ITEM | PART NO. | DESCRIPTION | QTY | REMARK |
|------|----------|----------------------|-----|--------|
| 1 | 27201067 | Hydraulic power unit | 1 | |
| 2 | 27250149 | Hydraulic cylinder | 1 | |
| 3 | 03030027 | Special screw | 1 | |
| 4 | 03130001 | Washer BS/A13.70 | 4 | |
| 5 | 03030128 | Union 5B-04 | 1 | |
| 6 | 03030065 | Union 1B-04 | 1 | |
| 7 | 27201019 | Hydraulic hose L=700 | 1 | |



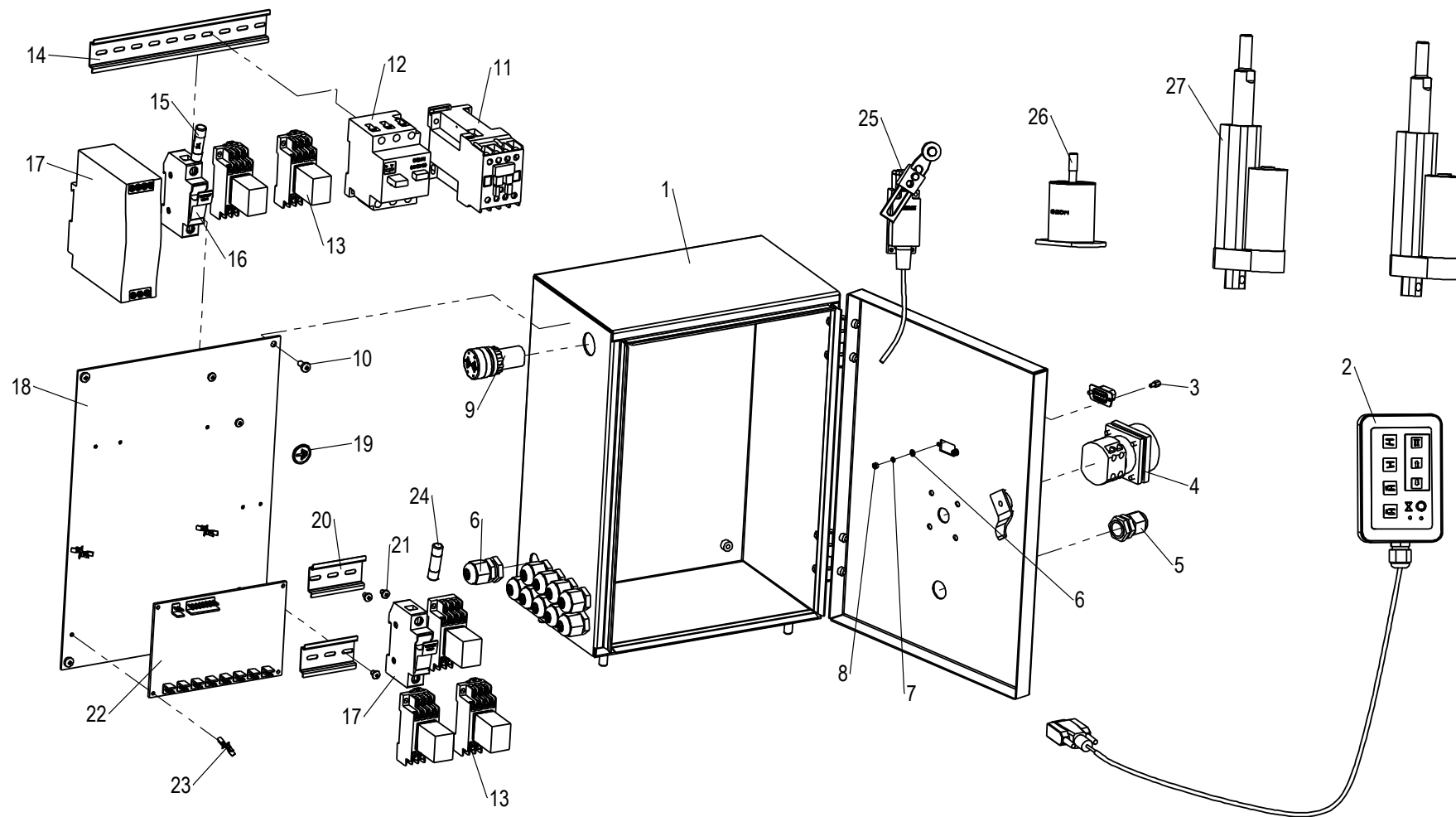
| | | |
|--------------|-----------------------------|--------------------|
| TAV.8 | HYDRAULIC POWER UNIT | ED. 10.2023 |
|--------------|-----------------------------|--------------------|

| ITEM | PART NO. | DESCRIPTION | QTY | REMARK |
|-------------|-----------------|------------------------------|------------|---------------|
| 1 | 02020033 | Screw GB/T70.1/M6X20 | 4 | |
| 2 | 02080005 | Washer GB/T93/6 | 8 | |
| 3 | 02050006 | Washer GB/T97.1/6 | 8 | |
| 4 | 05090213 | Motor 220V50Hz1ph4p 1.5KW S3 | 1 | |
| 5 | 03070059 | Coil AC24VC 166455OC1 | 1 | |
| 6 | 03070051 | Auto lowering Down valves | 1 | |
| 7 | 03050001 | Plug QD07 | 2 | |
| 8 | 02010013 | Screw GB/T5783/M6X16 | 4 | |
| 9 | 02080006 | Washer GB/T93/8 | 2 | |
| 10 | 02020051 | Screw GB/T70.1/M8X80 | 2 | |
| 11 | 03050090 | Oil suction pipe Z3/8X35 | 1 | |
| 12 | 03050087 | Oil level plug G3/4" | 1 | |
| 13 | 26250012 | Oil tank | 1 | |
| 14 | 03050016 | Oil plug | 1 | |
| 15 | 03050010 | Oil filter 3/8 | 1 | |
| 16 | 03030007 | Union 3/8 | 1 | |
| 17 | 03010008 | Gear pump 2.1CC | 1 | |
| 18 | 0309101 | O-ring 112X4 | 1 | |
| 19 | 03070067 | Non return valve | 1 | |
| 20 | 03070010 | Pressure overload valve | 1 | |
| 21 | 23230014 | Plug | 1 | |
| 22 | 0309054 | O-ring 17X2 | 1 | |
| 23 | 23260073 | Manifold | 1 | |
| 24 | 03050096 | Pump joint BZ-9-57 | 1 | |

| | | |
|-------|--------------------|-------------|
| TAV.9 | HYDRAULIC CYLINDER | ED. 10.2023 |
|-------|--------------------|-------------|



| ITEM | PART NO. | DESCRIPTION | QTY | REMARK |
|------|----------|-------------------------------|-----|--------|
| 1 | 26200184 | Cylinder liner | 1 | |
| 2 | 02120007 | Seeger GB/T894.1/32 | 1 | |
| 3 | 23200215 | Piston | 1 | |
| 4 | 03120016 | Gasket 80X60X22.4 | 1 | |
| 5 | 03090115 | O-ring 38X3.1 | 1 | |
| 6 | 23220080 | Piston shaft | 1 | |
| 7 | 23200214 | Cylinder guiding cover | 1 | |
| 8 | 03050040 | Guider ring 50X15X2.5 | 1 | |
| 9 | 03110010 | Scraper 50X58X5/6.5 | 1 | |
| 10 | 03070125 | Lowering speed control valves | 1 | |
| 11 | 27201399 | Hydraulic cylinder seal kit | 1 | |



| | | |
|--------|---------------|-------------|
| TAV.10 | CONTROL PANEL | ED. 10.2023 |
|--------|---------------|-------------|

| ITEM | PART NO. | DESCRIPTION | QTY | REMARK |
|------|---------------------------------|----------------------------------|-----|--------|
| 1 | 27401995 | Control box | 1 | |
| 2 | 27401990 | Remote control switch | 1 | |
| 3 | 02040053 | Isolation pin | 2 | |
| 4 | 05050028 | Power switch | 1 | |
| 5 | 05080252 | Cable relief M18 | 11 | |
| 6 | 02050001 | Washer GB/T97.1/3 | 2 | |
| 7 | 02080001 | Washer GB/T93/3 | 2 | |
| 8 | 02030001 | Nut GB52/M3 | 2 | |
| 9 | 05020021 | Beeper XB2BSB4LC 24V | 1 | |
| 10 | 02060024 | Screw GB/T818/M5X10 | 4 | |
| 11 | 05010044 | Contacto 1210/DC24V | 1 | |
| 12 | 05010019 | Breaker DZ108-20/10-16A | 1 | |
| 13 | 05010012 | Intermediate relay DC24V | 5 | |
| 14 | 23400025 | Guide DZ47 L=200mm | 1 | |
| 15 | 05040010 | Overload cutoff 2A 10X38 | 1 | |
| 16 | 05040001 | Support RT18-32 | 2 | |
| 17 | 05010089 | Power switch NDR-120-24 | 1 | |
| 18 | 23430053 | Support | 1 | |
| 19 | 06100380 | Ground decal | 1 | |
| 20 | 23400022 | Guide DZ47 L=60mm | 2 | |
| 21 | 02060019 | Screw GB/T818/M4X6 | 7 | |
| 22 | 05070546 | CPU board 202.1 | 1 | |
| 23 | 05080302 | Holder HDB-16A | 4 | |
| 24 | 05040011 | Overload cutoff RT18-32-1A/10X38 | 1 | |
| 25 | 05050018 | Limit switch AZX8108 | 1 | |
| 26 | 05050085 | Electromagnet AC220V | 1 | |
| 27 | 05080412 05080422 | Electric putter | 2 | |