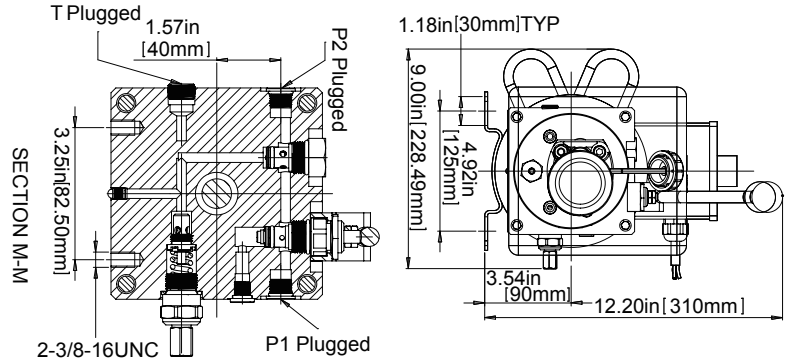
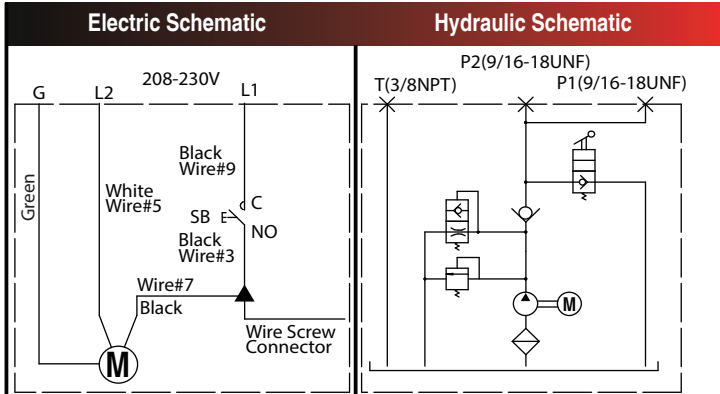


# MODEL AL2300

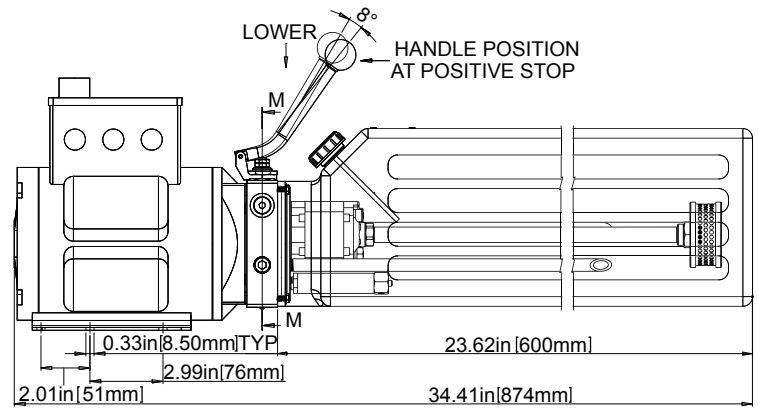


## 2HP 230V AC HYDRAULIC POWER UNIT WITH POWER UP AND GRAVITY DOWN FUNCTIONS FOR ABOVE GROUND VEHICLE LIFTS

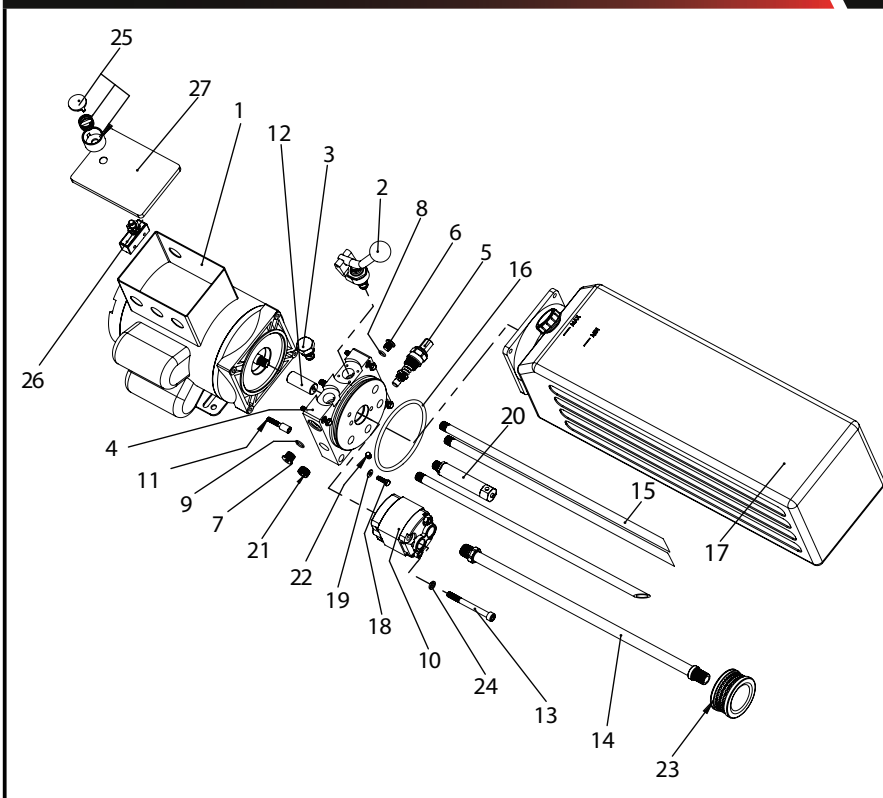
This unit is used for raising and lowering your hoist. A push of a button raises the lift and a manual control allows for controlled lowering. This unit features a fixed pressure relief valve and 3.6 GAL opaque tank.



UNIT SPECIFICATION	
Lowering Valve	Manual operated
Buffer Valve	Z1/4
Pressure Relief Valve	2300PSI (+/-100PSI) ,Pre-set
Check Valve	M20x1.5
Motor	208-230V,1PH,50/60HZ,2930/3520rpm, 2.0HP, MET recognized/UL 201/CSA 22.2 NO.68
Gear Pump	2.1cc/r 2gpm
Suction Filter	100 mesh
Tank	3.6 gallon, Usable, OPAQUE, Plastic



### MODEL AL2300



ITEM	DESCRIPTION	P/N	QTY.
------	-------------	-----	------

1	Motor	WG-03-1G011	1
2	Lowering Valve	WX2-01-4010	1
3	Check Valve	WG-05-1001	1
4	Pump Body	BCP2-01-007	1
5	Pressure Relief Valve	WX2-01-2006	1
6	Plug M10x1	WG-04-3013	1
7	Plug 9/16-18	WG-04-3019	2
8	O-ring 8x2.1	WG-01-2073	1
9	O-ring 11.8x1.8	WG-01-2010	2
10	Gear Pump	CP1-01-007Q2	1
11	Screw	SPZL000100	4
12	Coupling	WX2-04-002	1
13	Pump Mounting Bolt	WG-01-1048	2
14	Suction Tube	WX2-02-1010	1
15	Return Tube	WX2-02-2005	3
16	O-ring 109x5.3	WG-01-2049	1
17	Tank	WG-06-2016	1
18	Hex screws M5x18	WG-01-1260	4
19	Flat washers 5	WG-01-1066	4
20	Buffer valve	WX2-01-6002	1
21	Plug NPT3/8	WG-04-3020	1
22	Ball plug	WG-01-3227	1
23	Filter	WG-07-002	1
24	Lock washers 8	WG-01-1009	2
25	Switch Cover	WG-03-3336	1
26	Motor switch	WG-03-3335	1
27	Junction box cover	WG-03-3337	1