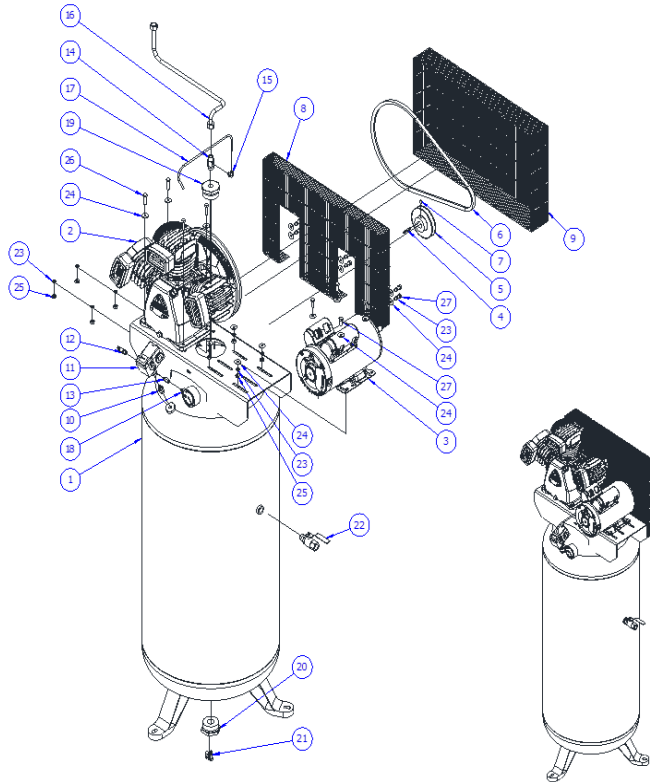


# AF5 Parts Breakdown



Part Number	Part Description	Q'TY
1	TANK	1
2	3 Cylinder Compressor Pump	1
3	MOTOR	1
4	MOTOR KEY	1
5	AK44x78 Motor Pulley	1
6	A51 Belt	1
7	SET SCREW	1
8	LB40 belt guard with steel wire	1
9	LB40 belt guard with steel wire	1
10	Nipple Npt1/4"*npt1/4"*1-1/2"L	1
11	PRESSURE SWITCH	1
12	Safety Valve Npt 1/4 165 Psl	1
13	Rc1/8-R1/8 NIPPLE JOINT	1
14	M18-R1/2 COPPER JOINT	1
15	φ6×R1/8 CUTTING FERRULE JOINT	1
16	OUTLET PIPE(φ12)	1
17	φ6 PUMP HEAD RELEASE PIPE	1
18	2"1/4 Side Mount Pressure Gauge	1
19	R2-Rc1/2 JOINT	1
20	R2-Rc1/4 JOINT	1
21	Drain Valve Npt 1/4	1
22	1/2 Air Valve	1
23	M8 Helical spring lock washer, Medium split,zinc platedSpring Washer 8MM	14
24	3/8x1-1/2 Fender Washer	18
25	M8-1.25 Hex Nut, Class 8.8 Carbon Steel, Zinc Plated	14
26	M8-1.25x30 Hex Cap Screw class 8.8	4
27	M8-1.25x16MM Hex Cap Screw, Class 8.8 Carbon	10