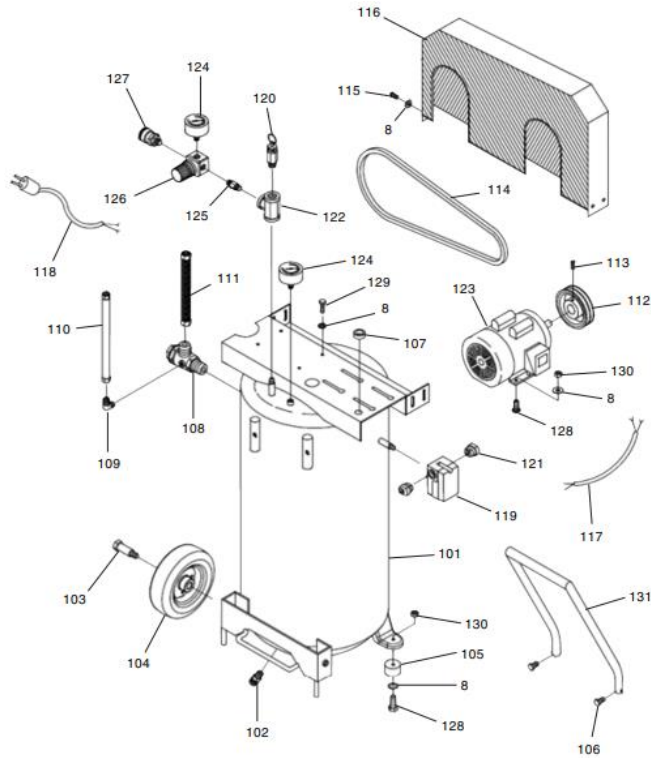


# AF2 Parts Breakdown



Part Number	Part Description	Q'TY
101	TANK	1
102	BALL DRAIN VALVE	1
103	SHOULDER BOLT M14-2 X 20, 14 X 51	2
104	TANK WHEEL	2
105	RUBBER FOOT	2
106	FLANGE BOLT M8-1.25 X 30	2
107	VIBRATION DAMPING RING	1
108	CHECK VALVE 1/2" FLARE	1
109	ELBOW FITTING 90-DEG	1
110	EXHAUST TUBE	1
111	PUMP DISCHARGE LINE	1
112	MOTOR PULLEY	1
113	SET SCREW M4-.7 X 10	1
114	V-BELT A43	1
115	HEX BOLT M6-1.25 X 16	4
116	BELT GUARD	1
117	MOTOR CORD 12G 3W 12"	1
118	POWER CORD 12G 3W 72" 5-15P	1
119	PRESSURE SWITCH	1
120	SAFETY RELIEF VALVE	1
121	STRAIN RELIEF TYPE-1 3/8"	1
122	TEE FITTING 180-DEG	1
123	MOTOR 2HP 115V/230V 1-PH	1
124	PRESSURE GAUGE	2
125	PIPE NIPPLE	1
126	REGULATOR	1
127	QUICK COUPLER 1/4" NPT	1
128	HEX BOLT M8-1.25 X 16	2
129	HEX BOLT M8-1.25 X 30	8
130	HEX NUT M8-1.25	2
131	TANK HANDLE	1